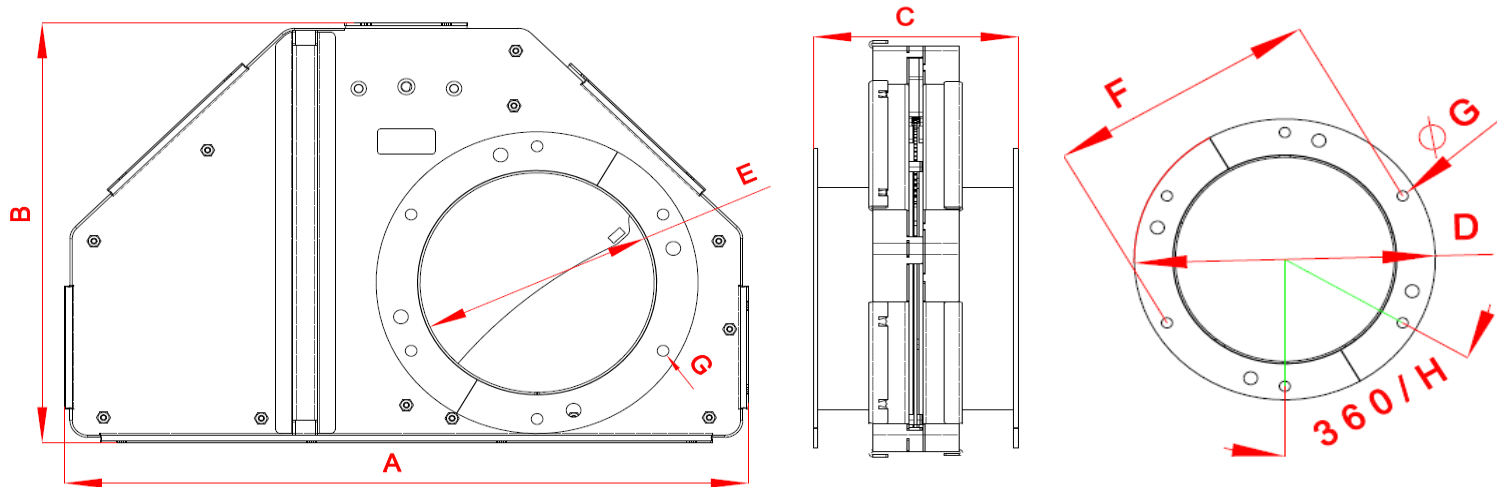


Ecogate Dimensions	A (inch)	B (inch)	C (inch)	D (inch)	E (inch)	F (inch)	G (inch)	H (Qty)	Weight
Gate Diameter	Width	Height	Depth	Flange Outside (dia)	Flange Inside (dia)	Holes Spacing	Hole Diameter	Holes (Qty)	without motor (Lb)
4"	12.6	8.7	5.1	6.1	3.9	5.3	0.30	6	6.6
5"	14.7	10.0	5.1	7.1	4.9	6.3	0.30	6	9.0
6"	17.2	11.2	5.1	8.1	5.9	7.3	0.30	6	11.9
7"	19.5	12.4	5.1	9.4	7.0	8.5	0.37	6	14.1
8"	23.0	14.2	5.1	10.4	7.9	9.6	0.39	6	17.6
9"	24.4	14.8	5.1	11.6	8.9	10.6	0.44	6	19.2
10"	26.8	16.0	5.1	12.9	9.9	11.8	0.45	6	23.4
12"	30.4	17.8	5.9	15.1	11.9	14.0	0.49	8	27.1
14"	35.1	20.2	6.0	17.1	13.9	16.0	0.49	8	36.2
16"	40.0	22.6	6.0	19.1	15.9	18.0	0.49	8	46.3
18"	46.3	25.7	6.0	21.1	17.9	20.0	0.49	8	59.7
20"	50.0	27.5	8.5	23.1	19.9	21.6	0.49	12	86.0
22"	55.0	30.0	8.5	25.2	21.9	23.6	0.49	12	97.0



Flanges 3"...5": use 1/4" screws
 Flanges 6"...8": use 5/16" screws
 Flanges 9"...60": use 3/8" screws

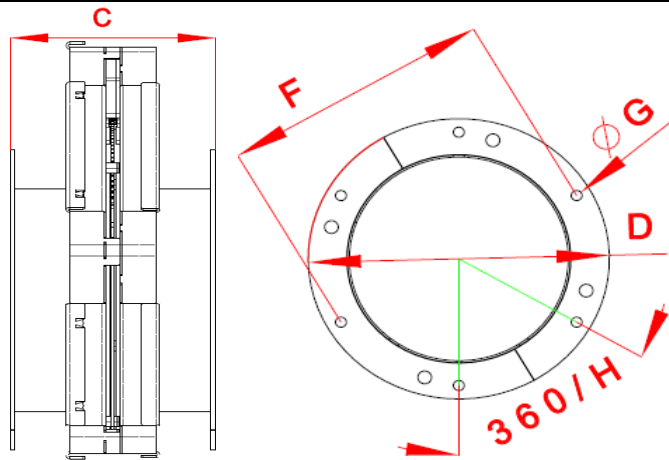
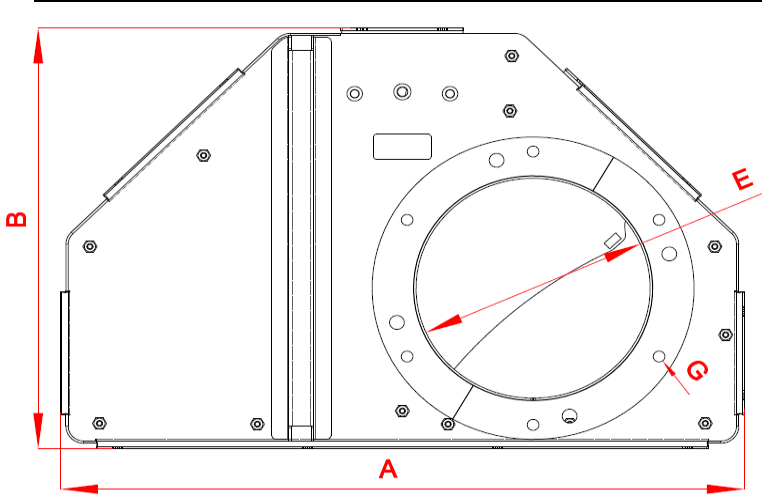
Updated November 23, 2020
 888-ECOGATE, 818-506-6016
info@ecogate.com



3D Drawings in STP & PDF file formats are available

Ecogate Gate Dimensions in Inches

Ecogate Dimensions	A (mm)	B (mm)	C (mm)	D (mm)	E (mm)	F (mm)	G (mm)	H	Weight
Gate Diameter	Width	Height	Depth	Flange Outside Dia	Flange Inside Dia.	Holes Spacing	Hole Diameter	Holes (Qty)	without motor (kg)
4"	320.0	220.0	130.0	156.0	98.0	135.0	7.5	6	3.0
5"	373.0	254.0	130.0	180.0	123.3	160.4	7.5	6	4.1
6"	436.7	284.7	130.0	205.6	149.5	185.8	7.5	6	5.4
7"	495.5	314.9	130.0	238.1	177.8	215.9	9.5	6	6.4
8"	584.3	359.6	130.0	263.5	200.5	242.8	10.0	6	8.0
9"	619.3	376.4	130.0	295.3	225.0	269.9	11.1	6	8.7
10"	681.7	407.6	130.0	327.0	250.5	300.3	11.5	6	10.6
12"	773.0	451.0	150.5	384.0	301.8	355.6	12.5	8	12.3
14"	892.8	512.8	152.5	435.0	352.6	406.4	12.5	8	16.4
16"	1,014.8	573.7	152.5	485.8	403.4	457.2	12.5	8	21.0
18"	1,175.2	651.7	152.5	536.7	454.2	507.8	12.5	8	27.1
20"	1,270.2	699.4	215.0	588.0	505.0	548.0	12.5	12	39.0
22"	1,396.3	762.3	215.0	640.0	557.0	600.0	12.5	12	44.0



Flanges 3"..."5": use 1/4" screws
 Flanges 6"..."8": use 5/16" screws
 Flanges 9"..."60": use 3/8" screws

Updated November 23, 2020
 888-ECOGATE, 818-506-6016
info@ecogate.com



3D Drawings in STP & PDF file formats are available

Ecogate Gate Dimensions in mm