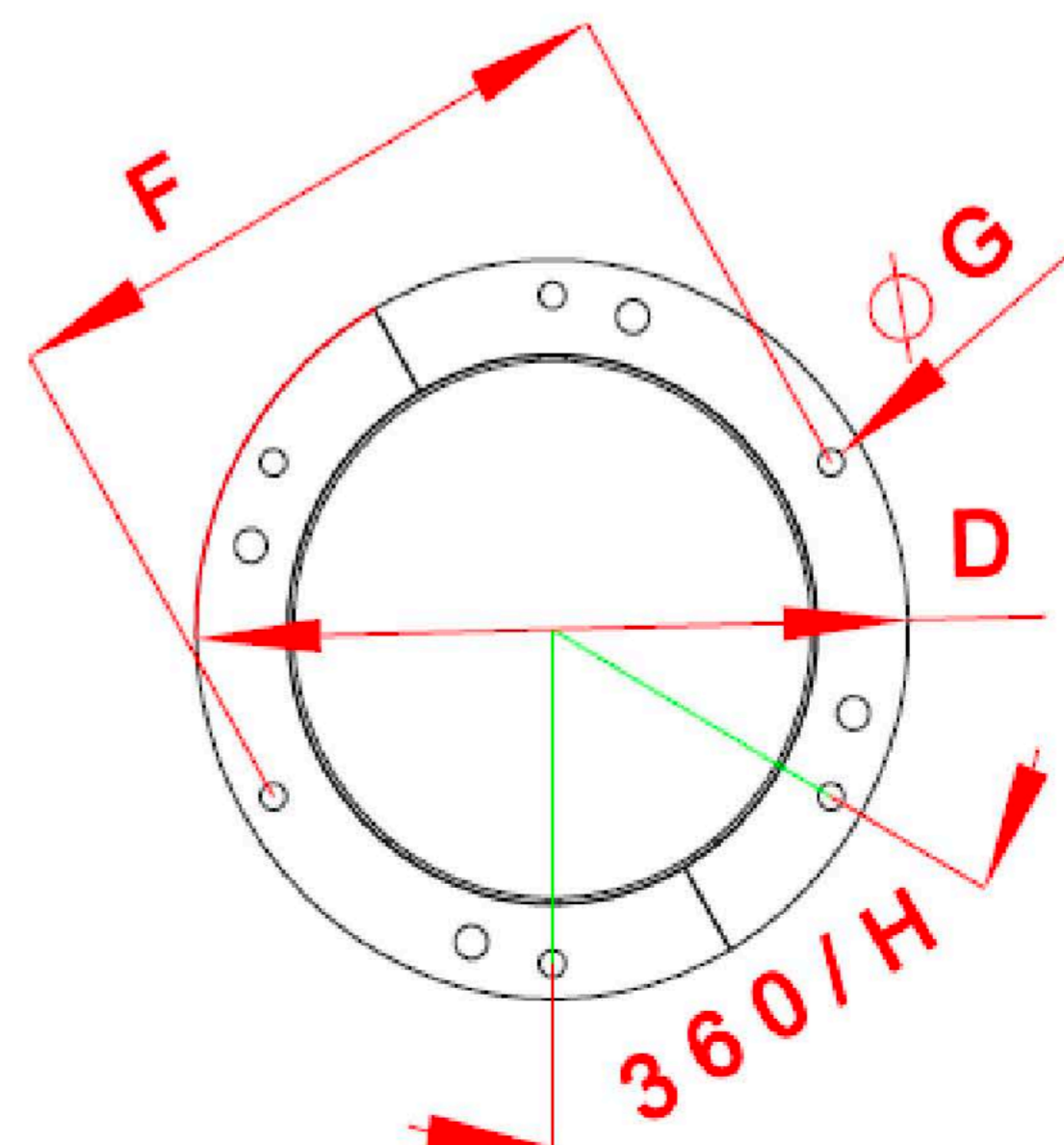
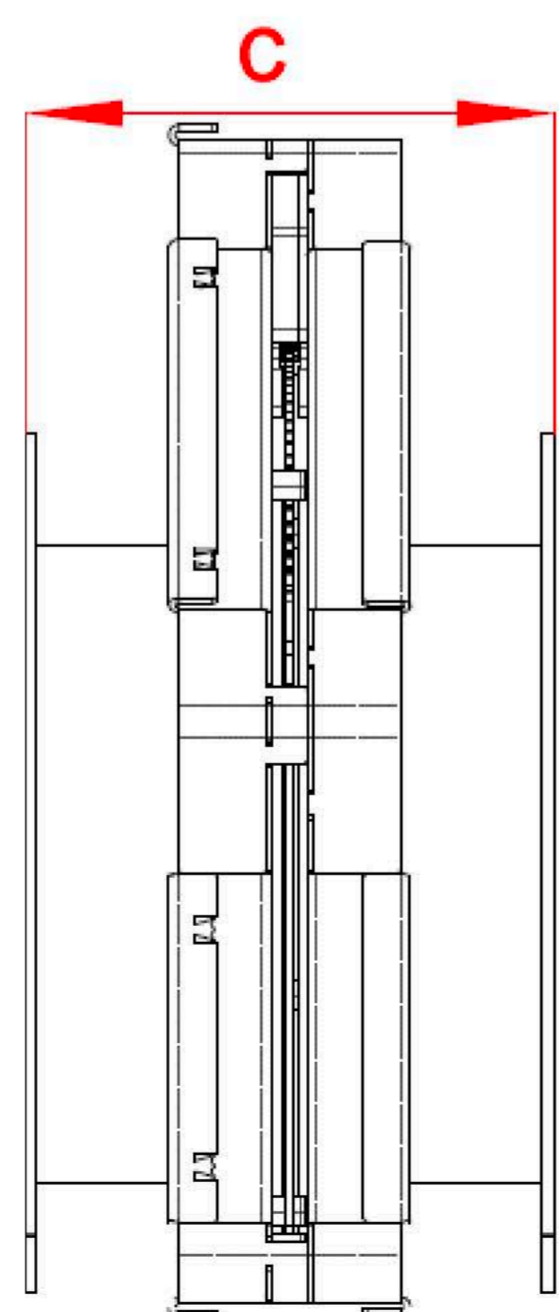
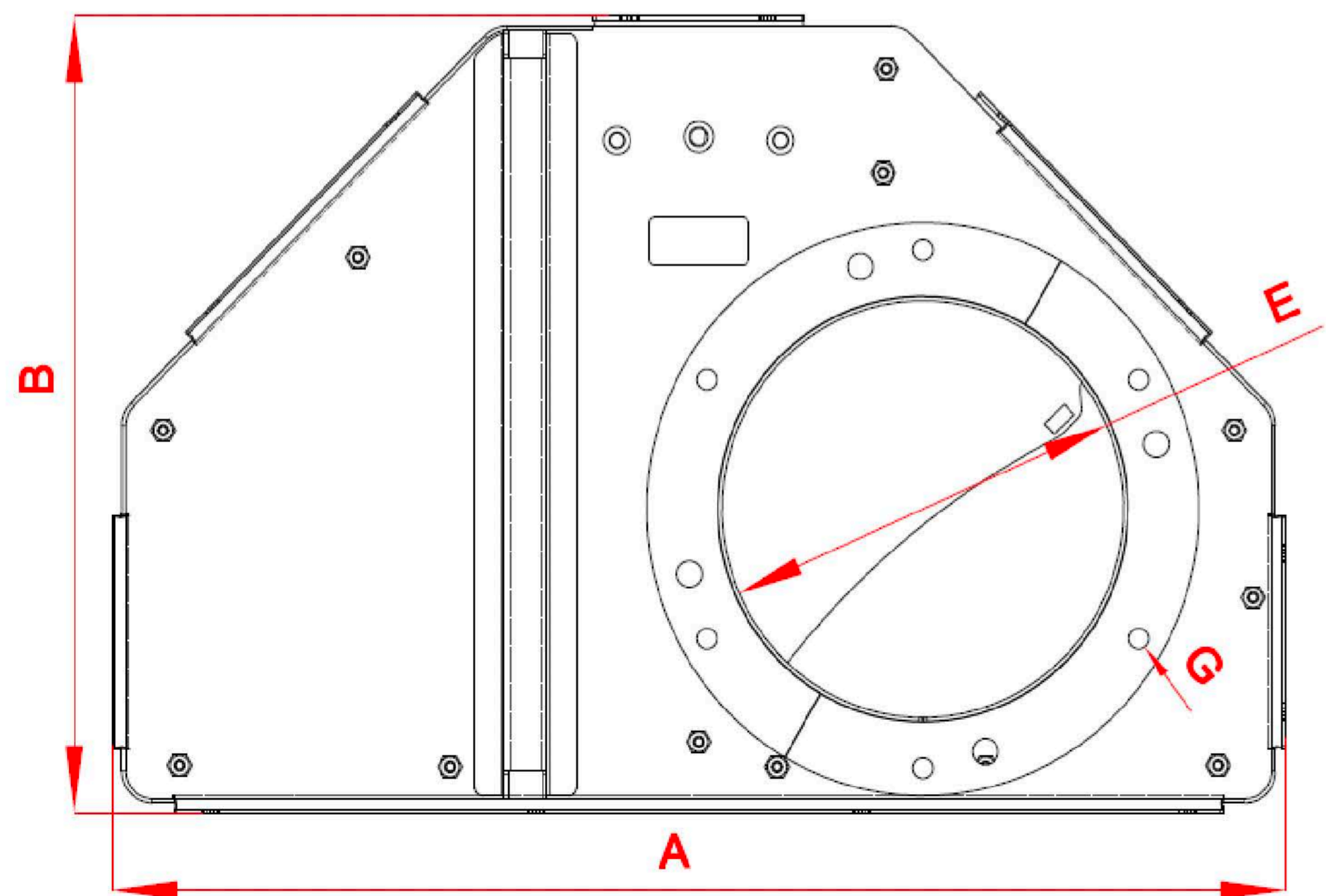


Ecogate Diameter	A (inch)	B (inch)	C (inch)	D (inch)	E (inch)	F (inch)	G (inch)	H	I (inch)	Weight
Inch	Width	Height	Depth	Flange outside diameter	Flange inside diameter	Hole spacing	Hole diameter	Number of holes	Body thickness	(without motor, Lb)
4"	12.6	8.7	5.1	6.1	3.9	5.3	0.30	6	2.3	6.6
5"	14.7	10.0	5.1	7.1	4.9	6.3	0.30	6	2.3	9.0
6"	17.2	11.2	5.1	8.1	5.9	7.3	0.30	6	2.3	11.9
7"	19.5	12.4	5.1	9.4	7.0	8.5	0.37	6	2.3	14.1
8"	23.0	14.2	5.1	10.4	7.9	9.6	0.39	6	2.3	17.6
9"	24.4	14.8	5.1	11.6	8.9	10.6	0.44	6	2.3	19.1
10"	26.8	16.0	5.1	12.9	9.9	11.8	0.45	6	2.3	23.3
12"	30.4	17.8	5.9	15.1	11.9	14.0	0.49	8	2.3	27.1
14"	35.1	20.2	6.0	17.1	13.9	16.0	0.49	8	2.3	36.1
16"	40.0	22.6	6.0	19.1	15.9	18.0	0.49	8	2.3	46.2
18"	46.3	25.7	6.0	21.1	17.9	20.0	0.49	8	2.3	59.6
20"	50.0	27.5	8.5	23.1	19.9	21.6	0.49	12	3.5	85.8
22"	55.0	30.0	8.5	25.2	21.9	23.6	0.49	12	3.5	96.8
24"	60.6	33.6	10.1	27.6	23.9	26.0	0.50	12	3.6	134.2
26"	65.3	36.0	10.1	29.5	25.9	28.0	0.50	12	3.6	153.3



Please follow Ecogate Best Practice for gates mechanical installation.

Rotating blade gates are available as zinc-plated or stainless-steel

Flanges 3"..."5": use 1/4" screws  
 Flanges 6"..."8": use 5/16" screws  
 Flanges 9"..."60": use 3/8" screws

3D Models in STP & PDF file formats are available

